



*Shown in 16"D, 15.25"W, 17.5"H
Gray, Black Diamond frame*

SPECIFICATIONS

Columbia's Classic Comfort Chairs are ergonomically designed with our exclusive built in lumbar support promoting proper posture. A one piece polypropylene shell is securely fastened to our best stacking chair frame.

Frame

- 1" diameter, 16 gauge steel tubing
- 1008 -1010 CRS Platable steel
- MIG welded
- Nickel chrome plate or powder coat finish

Shell

- one-piece polypropylene shell 1/8" - 3/16"
- Anti-static surface
- Built-in lumbar support to promote a proper posture
- Waterfall front protects leg circulation

Seat Height

12", 13 1/2", 15 1/2", 17 1/2", 18 1/2", 19"



Built-in Lumbar Support

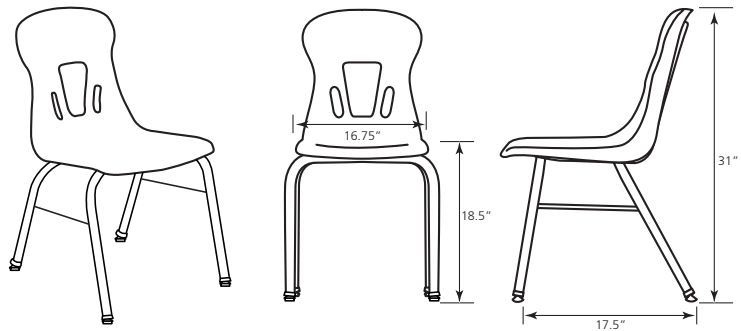
Columbia's Exclusive

Built-in lumbar support to promote a proper posture

Model	D	W	H	WT
CH-CC-SK-G-AA	13.6"	13"	12"-16"	9
CH-CC-SK-G-13	13.6"	13"	13.5"	7
CH-CC-SK-G-15	13.6"	13"	15.5"	8
CH-CC-SK-G-17	16"	15.25"	17.5"	11
CH-CC-SK-G-18	17.6"	16.75"	18.5"	13
CH-CC-SK-G-AB	16.5"	15.25"	14"-18"	11



Stacking capability of 6 high



Carpet, steel or felt glides

Glides

Columbia glide options - Armored Glide, steel, felt base. Q Ball glides available upon request.

- 1" or 1 1/8" diameter swivel glides with hardened internal steel gripper
- 1/2" high shoulder glide firmly attaches to tubing
- Maximum 40°- swivel range

Assembly

- Seat shell mechanically fastened directly to the frame with rivets

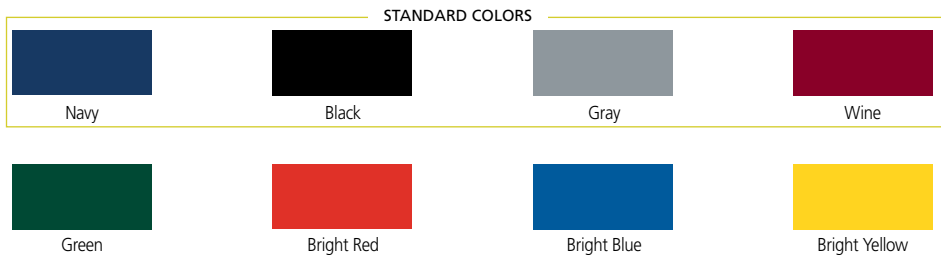
All Classic Comfort chairs pass CAL133 testing without any added harmful chemicals.



INDOOR-ADVANTAGE GOLD FURNITURE

Soft Plastic Classic Comfort Chair

Classic Comfort Soft Plastic Color Options



Frame Finish Options



[†]Spec Flek

All non-standard colors subject to minimum quantities and upcharges.