

Model	D	W	H
TB-GTG-3LOB-4860-AM Galaxy Legs-Adjustable	48"	60"	22"-31"
TB-GTS-3LOB-4860-37	48"	60"	37"
TB-GTS-3LOB-4860-43 with Shelf	48"	60"	43"

## SPECIFICATIONS

All Columbia activity tables adapt to many different functions or activities. Ideal for classrooms, training rooms, workrooms and any collaborative learning environment. Columbia's Gathering Table features a symmetrical shape to allow for nesting of multiple tables, with ample clearance for end of table standing or seating. Includes a shelf to help keep things stowed, with Dura edge on top and shelf.

### Legs

- 1 $\frac{3}{4}$ " square legs or Galaxy legs
- Mounted into 10 gauge mounting bracket and fully welded with 5/16" stabilizing rods

### Top

- 1" MDF with Dura Edge
- Flat top mechanically secured to the frame in 32 places
- 48" x 60"
- Northern Canadian high density wood

### Shelf

- 5/8" MDF with black laminate and Dura Edge.

### Stretcher Tubing

- 1008 -1010 steel
- Tubing - 7/8" 16 gauge

### Height

- Standard Leg - 37" or 43"
- Galaxy Leg - 22"-31" adjustable



On right: Standard leg, fixed 43" height.  
Top: Maple, Dura-Edge: Black, Frame: Black

On left: Galaxy leg, adjustable height.  
Top: Oak, Dura Edge: Black, Frame: Black/Chrome

## OPTIONS:

### Legs

- 1 $\frac{3}{4}$ " square legs or Galaxy legs

### Galaxy Legs

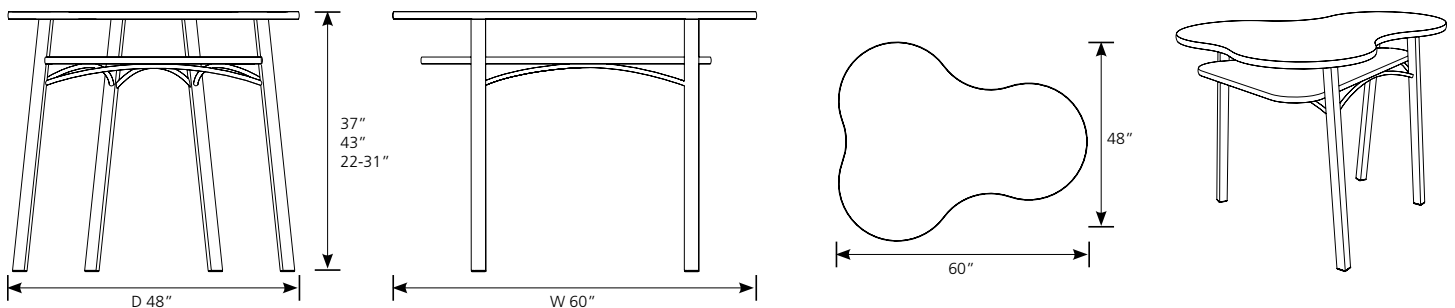
- Galaxy Legs are constructed with 2.2" round CRS carbon steel tubing fully welded to 10 gauge 4x5 plate and connected to the top in 40 locations.
- Galaxy Leg inserts are made of 2" round CRS carbon steel tubing chrome plated, permitting 1" height adjustment.



Galaxy legs

### Glides

- 1.75" square poly glides

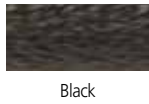


# Gathering Table

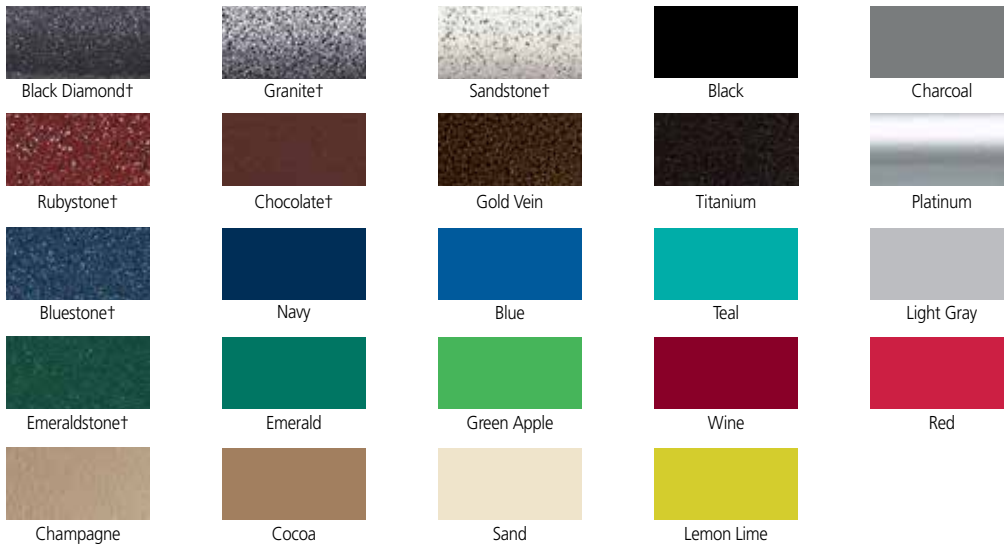
## Laminate Top Options



## Duro Edge Options



## Frame Finish Options



\*Spec Flek

All non-standard colors subject to minimum quantities and upcharges.