



*Shown in 15.25"D, 16"W, 17.5"H  
Light Gray, Chrome frame*

## SPECIFICATIONS

Columbia's hard plastic chairs provide exceptional strength and durability. The Super Stacker Chair is laboratory tested and certified. Stacks 15 high.

### Frame

- 1" diameter, 16 and 18 gauge steel tubing
- Back support - 7/8" diameter, 16 gauge steel tubing
- Side support rods - 5/16" solid steel

### Seat and Back

- 5/8" hard melamine resin attached directly to frame
- Solid plastic - ground hardwood flour, color pigment and melamine plastic resins, blended and compressed under heat and pressure (1900 psi)

### Seat Height

12", 13½", 15½", 17½", 18"

### Tubing

- 1008 -1010 CRS Platable steel
- Tubing - between 14 and 18 gauge



Carpet, steel or felt glides

### Glides

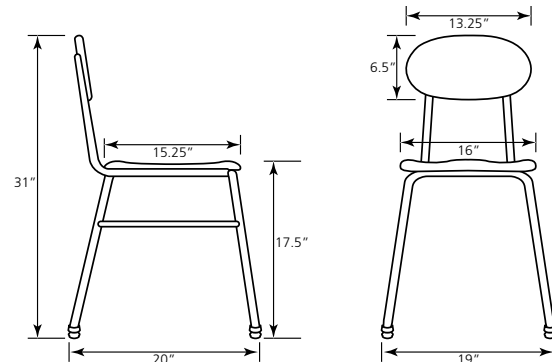
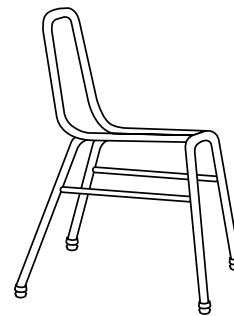
Columbia glide options - Armored Glide, steel, felt base. Q Ball glides available upon request.

- Interchangeable base options in 7/8" to 1" diameter swivel glides with hardened internal steel gripper
- 1/2" high shoulder glide firmly attaches to tubing
- Maximum 40° swivel range
- Tip lubricant repels wax, detergents, and water

### Assembly

- Self-tapping screws, #10-1-3/8", 1-5/8" type 25 phobias head or fillips head
- Seats and backs are attached directly to frame
- Tamper proof fasteners available

Model	D	W	H	WT
CH-HP-SK-G-12	13"	13"	12"	14
CH-HP-SK-G-13	13"	13"	13.5"	14
CH-HP-SK-G-15	13"	13"	15.5"	15
CH-HP-SK-G-17	15.25"	16"	17.5"	16
CH-HP-SK-G-18	15.25"	16"	18"	19
CH-HP-SK-G-AA <i>Super Stacker Adjustable</i>	13"	13"	12"-16"	18
CH-HP-SK-G-AC <i>Adjustable</i>	15.25"	16"	15"-18"	20



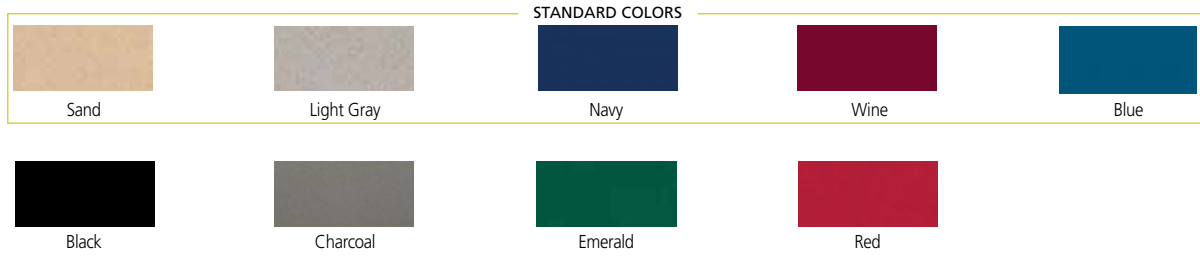
Stacks 15 High



INDOOR-ADVANTAGE GOLD FURNITURE

# Super Stacker Chair

## Seat and Back Color Options



## Frame Finish Options



\*Spec Flek

All non-standard colors subject to minimum quantities and upcharges.