

Model	D	W	H
DK-4GX-HEXA-2133-AO	21"	33"	21"-34"
DK-4GX-HEXA-2133-30	21"	33"	30"

SPECIFICATIONS

Columbia's Adjustable Galaxy Hexagon Desk is designed for inclusion, collaboration, individual learning, or teacher centered classroom environments. Can be grouped up to six. ADA model available in HPL with Edging or MDF with Duro Edge only.

Frame

- 2 1/2" diameter, 16 gauge steel tubing welded to a 10 gauge 4x5 Plate
- Mounted with one self-tapping screw
- Insert is 2" diameter, 16 gauge tubing

Top

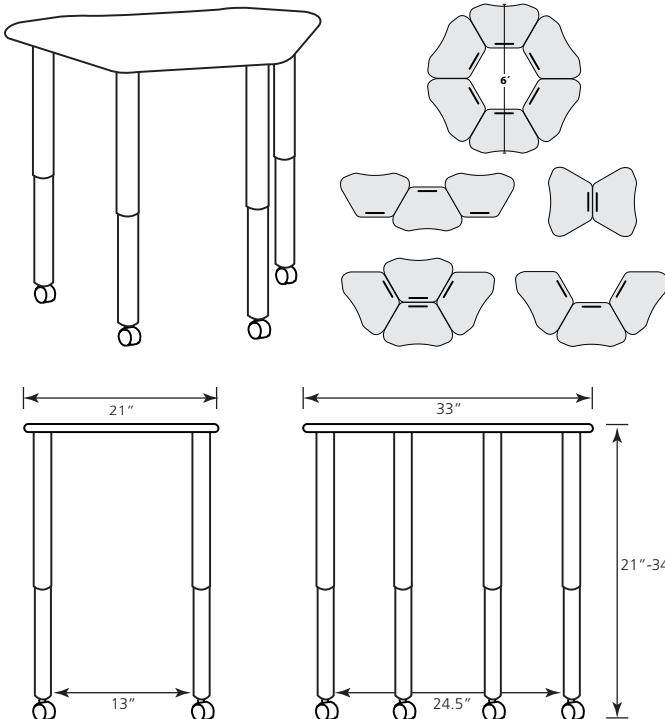
- 5/8" - 1 1/4" thick, available in Hard Plastic, MDF or PB HPL
- Molded in dual pencil grooves
- 33" x 21"
- Solid plastic - ground hardwood flour, color pigment and melamine plastic resins, blended and compressed under heat and pressure (1900 psi)

Tubing

- 1008 - 1010 steel
- Tubing - between 14 and 18 gauge

Height

- 30" fixed, 21"-34" adjustable



Shown in adjustable height with casters.
Top Brushed Silver, Blue/Chrome frame

OPTIONS:



Galaxy Legs

Legs

- Galaxy



Locking casters

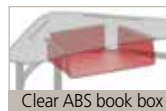


Shown in adjustable height with casters.
Top Brushed Silver, Charcoal/Chrome frame

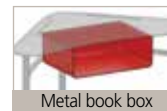
Glides

Columbia glide options - Armored Glide, steel, felt base.

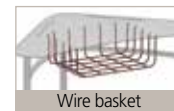
- 1" or 1 1/8" diameter swivel glides with hardened internal steel gripper
- 1/2" high shoulder glide firmly attaches to tubing
- Maximum 40°- swivel range



Clear ABS book box



Metal book box



Wire basket

See-through Book Box

- Clear ABS ergo plastic
- Provides enhanced security and cleaning

Wire Book Basket

- Made of 1/4" round CRS carbon solid steel rods

Metal Book Box

- Fabricated from 20 gauge CRS carbon steel sheet with hemmed edges
- Available in sizes:
22 1/2" x 15 1/2" x 5" or
14" x 12" x 5"



INDOOR-ADVANTAGE GOLD
FURNITURE

Adjustable Galaxy Hexagon Desk

Hard Plastic Top Options



MDF and HPL Top Options



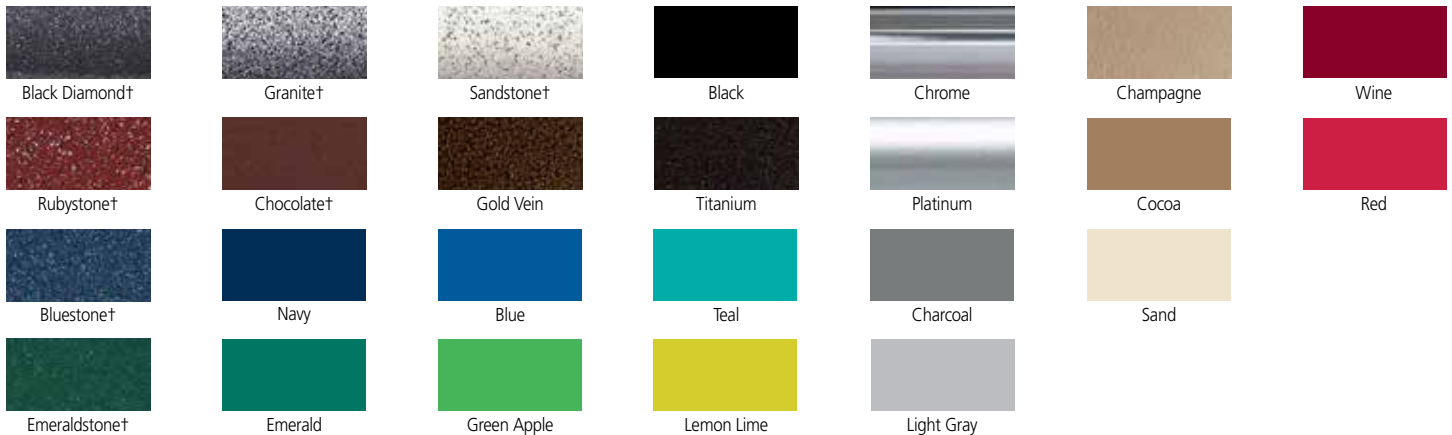
Edging Color Options



Duro Edge Options



Frame Finish Options



¹Spec Flek
All non-standard colors subject to minimum quantities and upcharges.