

Model	D	W	H	WT
DK-4LG-RECT-2036-AL <i>Adjustable</i>	20"	36"	22"-30"	30
DK-4LG-RECT-1824-29	20"	36"	29.5"	30
DK-4LG-RECT-2036-AS <i>ADA Desk</i>	20"	36"	27-34"	30

SPECIFICATIONS

Columbia's large study top desk is a generous 36" x 20" hard plastic top attached to our rugged steel frame with dual braces under the top for added support. Columbia's Large ADA Desk sized specifically for wheelchair access, is adjustable to 34".

Frame

- 1" diameter, 18 gauge steel tubing
- Welded 1" diameter, 18 gauge spreader connects all four legs together
- All joints hand brazed 360°
- ADA Desk includes stretcher tube - 3/4" diameter, 18 gauge

Top

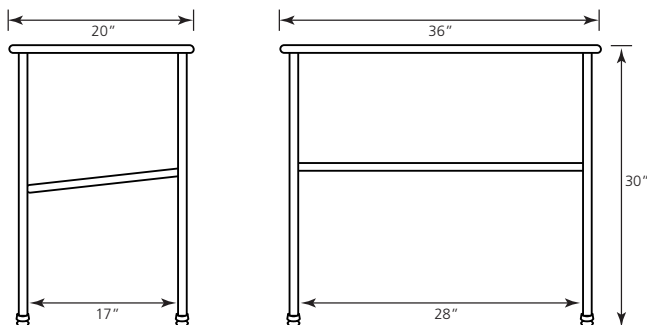
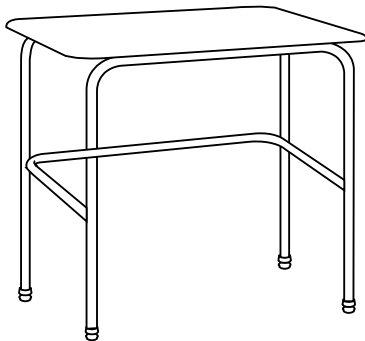
- 5/8" thick, available in Hard Plastic, MDF or PB HPL
- Flat top mechanically secured to the frame in 12 places
- 20" x 36"
- Solid plastic - ground hardwood flour, color pigment and melamine plastic resins, blended and compressed under heat and pressure (1900 psi)

Tubing

- 1008 -1010 steel
- Tubing - between 14 and 18 gauge

Height

- 30" fixed, 22"-30" or 27"-34" adjustable



*Shown in adjustable height.
Top Sand, Sandstone frame*



*Shown in adjustable height.
Light Gray top, Black Diamond frame*

OPTIONS:



Carpet, steel or felt glides



Ball glides

Glides

Columbia glide options - Armored Glide, steel, felt base. Ball glides available upon request.

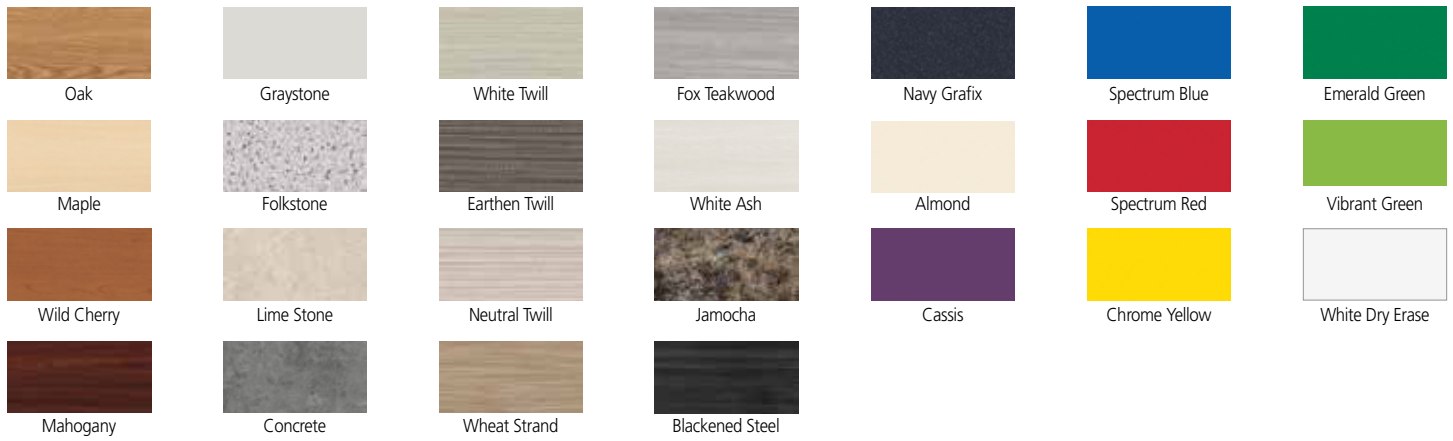
- 1" or 1 1/8" diameter swivel glides with hardened internal steel gripper
- 1/2" high shoulder glide firmly attaches to tubing
- Maximum 40°- swivel range

Large Study Top Desk

Hard Plastic Top Options



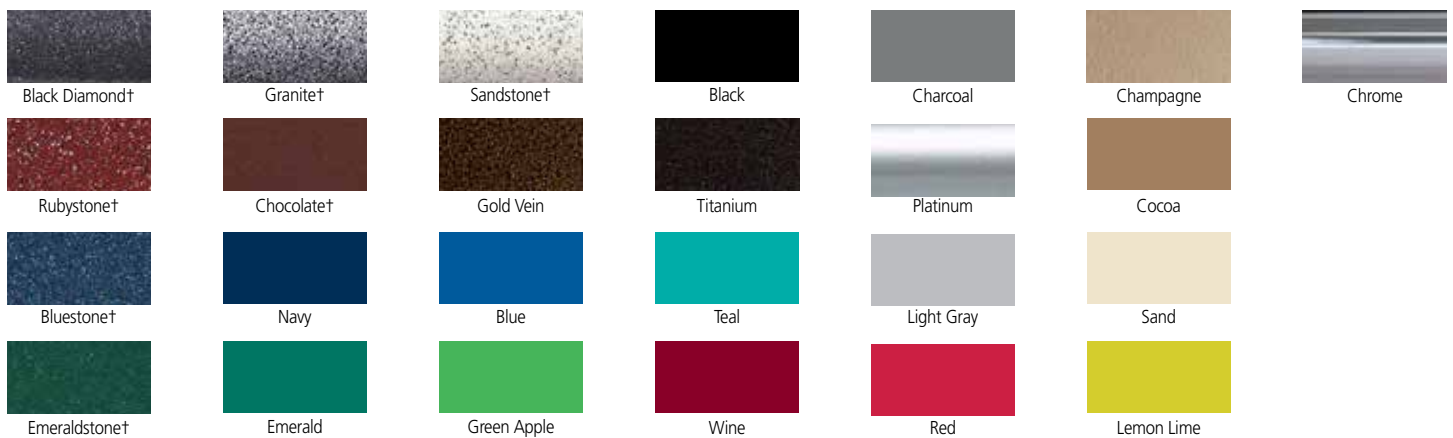
Laminate Top Options



Edging Color Options



Frame Finish Options



†Spec Flek

All non-standard colors subject to minimum quantities and upcharges.