

Model	D	W	H	WT
TB-MKH-RECT-3060-37	30"	60"	37"	00
TB-MKH-RECT-3060-42	30"	60"	42"	00
TB-MKH-RECT-3072-37	30"	72"	37"	0
TB-MKH-RECT-3072-42	30"	72"	42"	0
TB-MKH-RECT-4872-37	48"	72"	37"	0
TB-MKH-RECT-4872-42	48"	72"	42"	0

SPECIFICATIONS

Columbia's Makerspace H Frame tables are ideal for any hands-on learning environment. Our well built Makerspace tables embrace the power of collaboration—allowing students to consult and assist one another as they explore and solve problems.

Frame

- 2" x 2" diameter, 16 gauge square CRS and 1" x 2" diameter, 16 gauge rectangular CRS frame is fully welded

Top

- 1.5" or 1.75" thick UV coated Butcher block
- PB HPL tops with Edging
- MDF HPL tops with Black Duro Edge

Tubing

- 1008 -1010 steel
- Tubing - between 14 and 18 gauge

Height

- 37" or 42" fixed

OPTIONS:



Carpet, steel or felt glides



Locking casters

Glides

Columbia glide options - Whisper Glide, Armored Glide, steel, felt base. Q Ball glides available upon request.

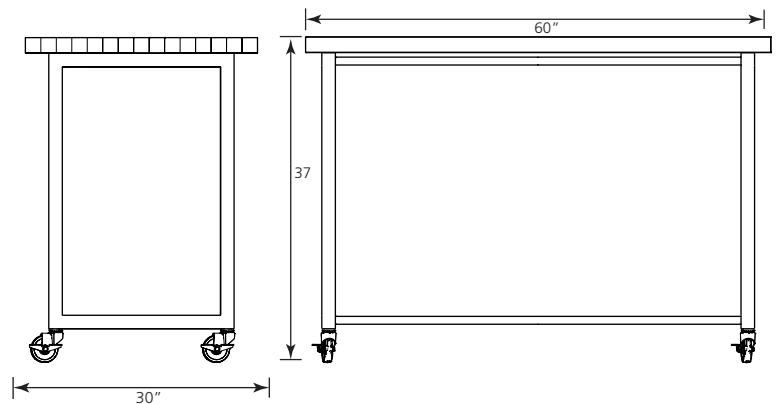
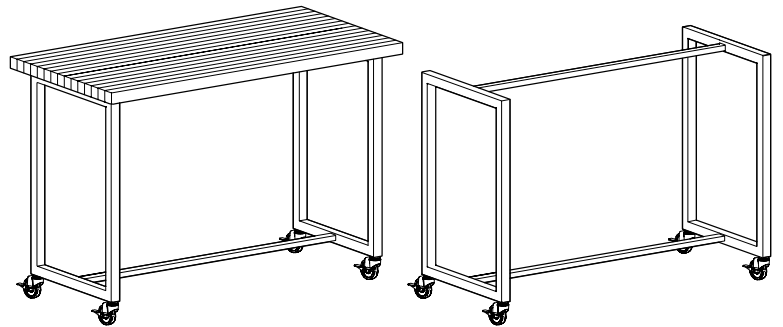
- Interchangeable base options in 7/8" to 1" diameter swivel glides with hardened internal steel gripper
- 1/2" high shoulder glide firmly attaches to tubing
- Maximum 40°- swivel range
- Armor Tip lubricant repels wax, detergents, and water

Casters

4" total lock casters provide ultimate stability as well as ease of movement in any learning environment.



Columbia's Makerspace A and H Frame tables

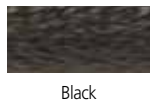


Makerspace H-frame Table

Laminate Top Options



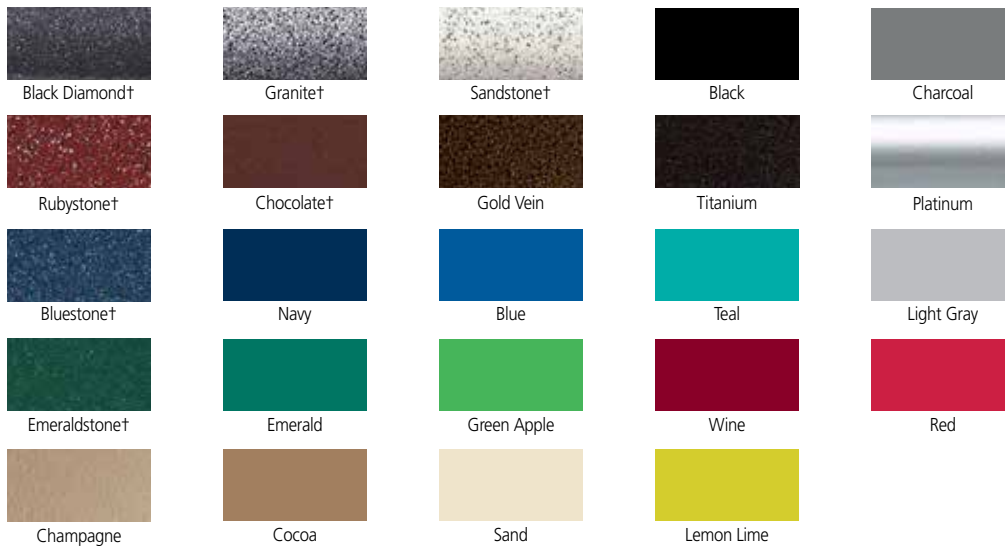
Duro Edge Options



Edging Color Options



Frame Finish Options



†Spec Flek

All non-standard colors subject to minimum quantities and upcharges.