



Shown in 18" Seat Height with Cobalt seat, Platinum frame

SPECIFICATIONS

With its ribless smooth back, Columbia's Silhoflex Cantilever Chair has a modern design and an ergonomic shell that incorporates built-in lumbar support on a forward leaning flexible frame. Available with various glide options makes this chair suitable for any surface.

Frame

- 1" diameter, 11 gauge steel tubing
- 360° hand brazed visible joints
- Steel extensions provide stability and tip prevention
- Extensions withstand over 1900 lbs of load
- Nickel chrome plate or powder coat finish

Shell

- Polypropylene - constructed into a one-piece, anti-static shell
- Modern rib-less smooth back design with built in lumbar support and strategically located hand hole
- Computer aided design produces optimum strength at transition area between seat and back with nearly .750" of wall thickness in critical areas

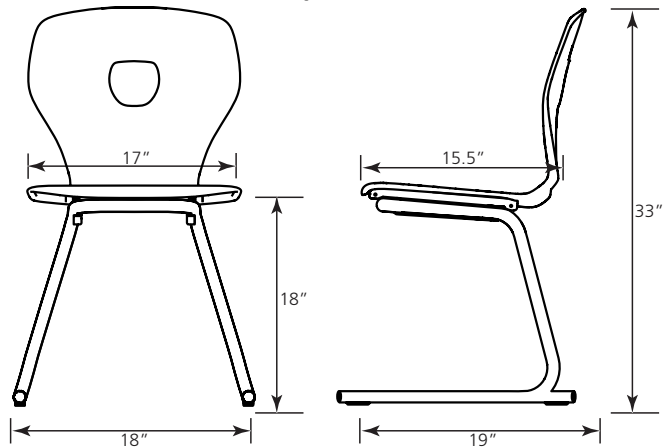
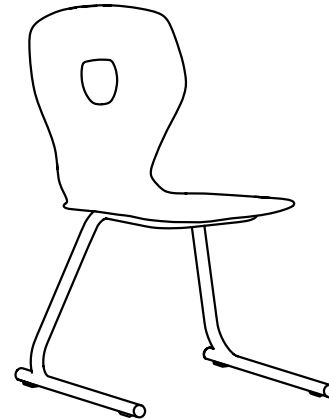
Seat Height

- 12", 14", 16", 18"

Tubing

- 1008 -1010 CRS Platable steel
- Tubing - between 11 and 16 gauge

Model	D	W	H	WT
CH-SI-CL-G-12	12.5"	13.75"	12"	8
CH-SI-CL-G-14	12.5"	13.75"	14"	9
CH-SI-CL-G-16	12.5"	13.75"	16"	10
CH-SI-CL-G-18	15.5"	17"	18"	14



Cantilever glides

Glides

- Injection molded sled base glide
- Options for Armor, Steel or Felt Glide, over mold TPR available upon request
- Prevents marring and digging of floors
- Lubricant repels wax, detergents, and water

Assembly

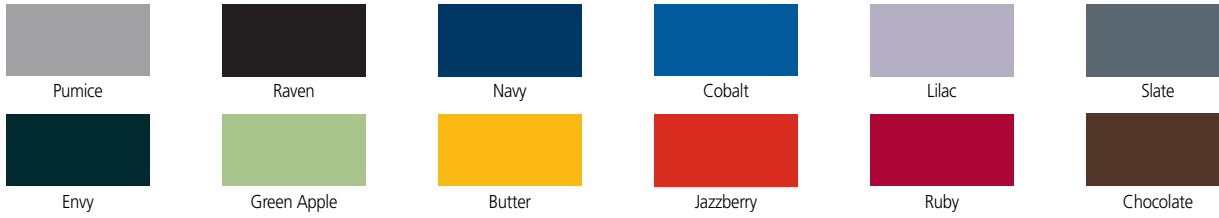
- Steel riveted in several locations
- Seat shell mechanically fastened directly to the frame

All Silhoflex chairs pass CAL133 testing without any added harmful chemicals.



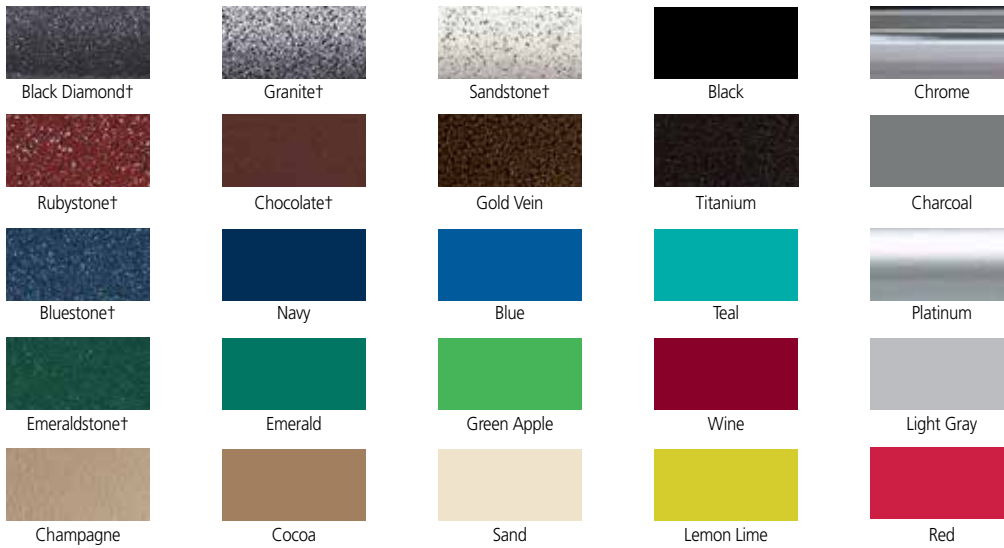
Silhoflex Cantilever Chair

Silhoflex Soft Plastic Color Options



All non-standard colors subject to minimum quantities and upcharges.

Frame Finish Options



†Spec Flek

All non-standard colors subject to minimum quantities and upcharges.