

| Model | D | W | H | WT |
|---------------------|-----|-----|---------|--------|
| TB-ACG-TRAP-2448-AO | 24" | 48" | 21"-34" | 44 lbs |
| TB-ACG-TRAP-3060-AO | 30" | 60" | 21"-34" | 65 lbs |
| TB-ACS-TRAP-2448-AJ | 24" | 48" | 21"-30" | 44 lbs |
| TB-ACS-TRAP-3060-AJ | 30" | 60" | 21"-30" | 65 lbs |

SPECIFICATIONS

All Columbia activity tables adapt to many different functions or activities. Ideal for classrooms, training rooms, workrooms and any collaborative learning environment.

Legs

- 1 3/8" diameter, 18 gauge CRS steel tubing
- Mounted into 10 gauge mounting bracket and fully welded with 5/16" stabilizing rods

Leg Insert

- 1 1/4" diameter, 16 gauge steel tubing swaged to 1" for strength
- Inserts mount into table leg using a t-nut adjustment system
- Tables over 60" have a heavy-duty 1" diameter, 16 gauge steel stretcher tube for top

Top

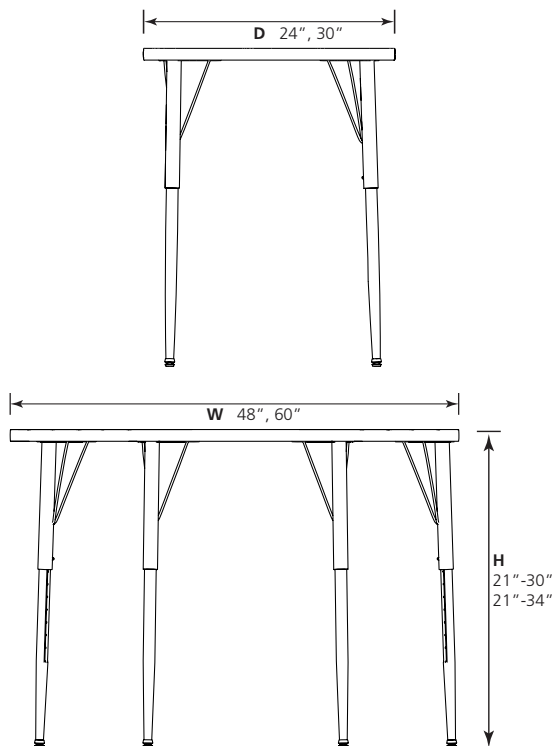
- 1 1/4" HPL, 1" MDF
- 2" radius corners
- Flat top mechanically secured to the frame in 32 places
- 24" x 48" or 30" x 60"
- Northern Canadian high density wood

Tubing

- 1008 -1010 steel
- Tubing - between 14 and 18 gauge

Height

- Standard Leg - 21"-30" adjustable
- Galaxy Leg - 21"-34" adjustable



Shown in standard leg, adjustable height.
Top Almond, Edging Brown, Sand/Chrome frame

OPTIONS:



Legs

- Standard or Galaxy

Galaxy Legs

- Galaxy Legs are constructed with 2.2" round CRS carbon steel tubing fully welded to 10 gauge 4x5 plate and connected to the top in 40 locations.

- Galaxy Leg inserts are made of 2" round CRS carbon steel tubing chrome plated, permitting 1" height adjustment.



Glides

Columbia glide options - Armored Glide, steel, felt base. Q Ball glides available upon request.

- 1/2" high shoulder glide firmly attaches to tubing
- Maximum 40°- swivel range
- Armor Tip lubricant repels wax, detergents, and water



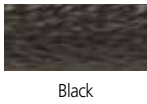
INDOOR-ADVANTAGE GOLD
FURNITURE

Trapezoid Activity Table

Laminate Top Options



Duro Edge Options



Edging Color Options



Frame Finish Options



†Spec Flek

All non-standard colors subject to minimum quantities and upcharges.