



Shown in 17"D, 15.5"W, 18"H  
Seat Butter, Platinum frame

## SPECIFICATIONS

Columbia's Silhoflex Jiggle Chair is the only truly spring-loaded chair, fostering movement and flexibility while learning. Made with Columbia's spring jiggle mechanism on our four leg Silhoflex stacking chairs. Our Jiggle Chair lets students move around and get their jiggles out, which actually improves concentration.

### Frame

- 1 1/8" diameter, 18 gauge steel tubing
- 360° weld at all joining locations
- Nickel chrome plate or powder coat finish

### Shell

- Polypropylene - constructed into a one-piece, anti-static shell
- Modern rib-less smooth back design with built in lumbar support and strategically located hand hole
- Computer aided design produces optimum strength at transition area between seat and back with nearly .750" of wall thickness in critical areas

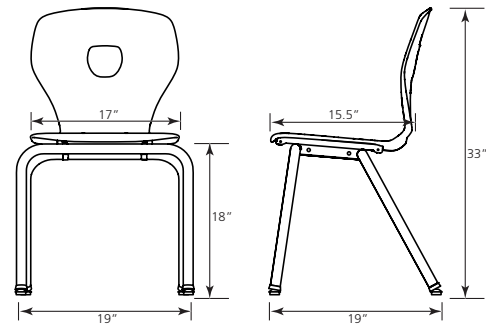
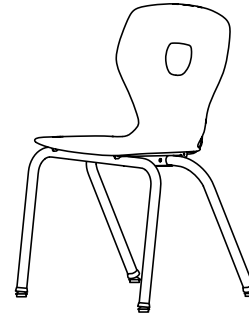
### Seat Height

- 6" - 18"

### Tubing

- 1008 -1018 CRS Platable steel
- Tubing - 18 gauge

Model	D	W	H	WT
CH-SI-JG-G-14	17"	15.5"	14"	8
CH-SI-JG-G-16	17"	15.5"	16"	9
CH-SI-JG-G-18	17"	15.5"	18"	11



Carpet, steel or felt glides



Compression casters

### Glides

Columbia glide options - Armored Glide, steel, felt base.

Q Ball glides available upon request.

- 1" or 1 1/8" diameter swivel glides with hardened internal steel gripper
- 1/2" high shoulder glide firmly attaches to tubing
- Maximum 40° swivel range
- Tip lubricant repels wax, detergents, and water

### Assembly

- Steel riveted in several locations
- Seat shell mechanically fastened directly to the frame

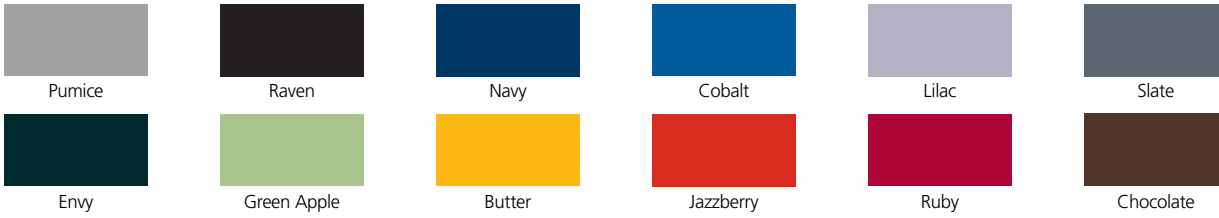
All Silhoflex chairs pass CAL133 testing without any added harmful chemicals.



INDOOR ADVANTAGE GOLD FURNITURE

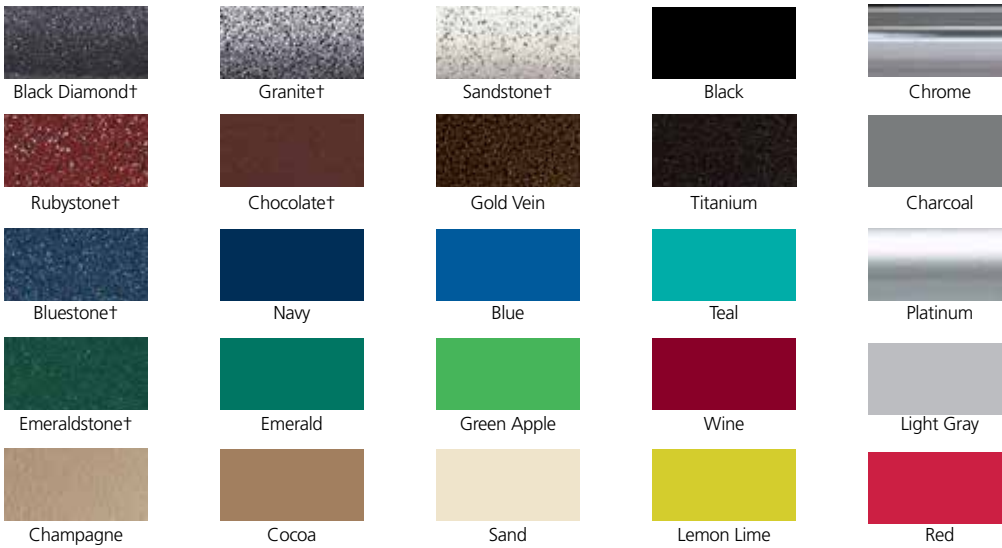
## Silhoflex Jiggle Chair

### Silhoflex Soft Plastic Color Options



All non-standard colors subject to minimum quantities and upcharges.

### Frame Finish Options



†Spec Flek

All non-standard colors subject to minimum quantities and upcharges.