

Model	D	W	H
CH-SI-LF-C-AI	15.5"	17"	20"-30"

SPECIFICATIONS

Columbia's Silhoflex Multipurpose Task Chair offers individual comfort and durability for classrooms, offices, or technology centers. Our flexible and attractive Silhoflex shell is ergonomically designed and mounted to a pneumatic cylinder and five-star base. All-purpose casters are designed for VCT floors or carpet.

Frame

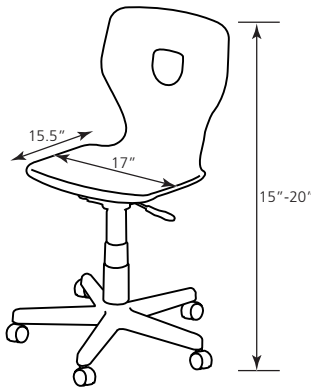
- 5-Star base.

Shell

- Polypropylene - constructed into a one-piece, anti-static shell
- Modern rib-less smooth back design with built in lumbar support and strategically located hand hole
- Computer aided design produces optimum strength at transition area between seat and back with nearly .750" of wall thickness in critical areas

Seat Height

20" - 30"



Shown in 15.5"D, 17"W, 20"H
Ruby seat, Black frame.



Compression casters

Glides

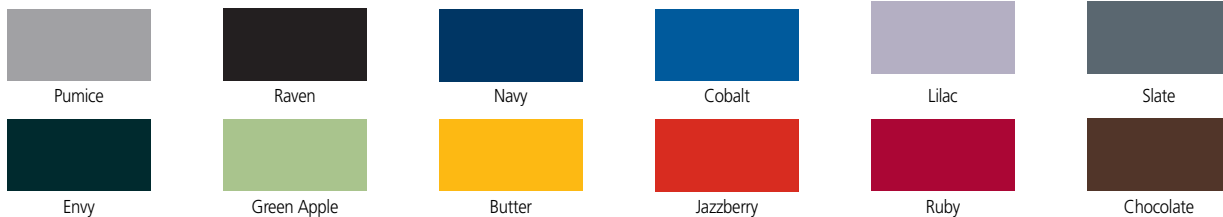
Columbia glide options - Nylon Bell Glide

Assembly

- Seat shell mechanically fastened directly to the frame

Silhoflex Pneumatic Chair

Silhoflex Soft Plastic Color Options



¹Spec Flek

All non-standard colors subject to minimum quantities and upcharges.

All Silhoflex chairs pass CAL133 testing without any added harmful chemicals.

