

Model	D	W	H	WT
DK-TLG-HEXA-2133-AL	21"	33"	22"-31"	27
DK-TLG-OCTA-2130-AL	21"	33"	22"-31"	27

SPECIFICATIONS

Columbia's flexible and adjustable Stagger Desk is designed for collaborative or individual learning. Units can be used in a setting of 1-8 desks for the Stagger 8 and setting of 1-6 desks for the Stagger 6 unit.

Frame

- Welded 1 1/2" x 1 1/2" diameter, carbon steel

Top

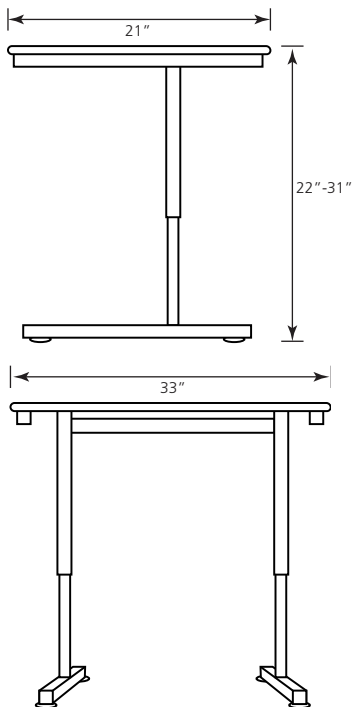
- 5/8" - 1 1/4" thick, available in Hard Plastic, or HPL
- Flat top mechanically secured to the frame in 12 places
- 21" x 33"
- Smooth top is easy to clean and disinfect
- Solid plastic - ground hardwood flour, color pigment and melamine plastic resins, blended and compressed under heat and pressure (1900 psi)

Tubing

- 1008 - 1010 carbon steel
- Tubing - between 16 and 18 gauge

Height

- 22"-31" adjustable



Shown in 31" adjustable height with Top White, Teal and Chrome frame

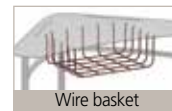
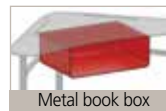
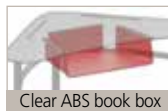
OPTIONS:



Glides

Columbia glide options - Armored Glide, steel, felt base. Q Ball glides available upon request.

- 1" or 1 1/8" diameter swivel glides with hardened internal steel gripper
- 1/2" high shoulder glide firmly attaches to tubing
- Maximum 40°- swivel range
- Galaxy Adjustable 3" OD Nylon glides



See-through Book Box

- Clear ABS ergo plastic
- Provides enhanced security and cleaning

Metal Book Box

- Fabricated from 20 gauge CRS carbon steel sheet with hemmed edges
- Available in sizes:
 - 22 1/2" x 15 1/2" x 5" or
 - 14" x 12" x 5" box

Wire Book Basket

- Made of 1/4" round CRS carbon solid steel rods

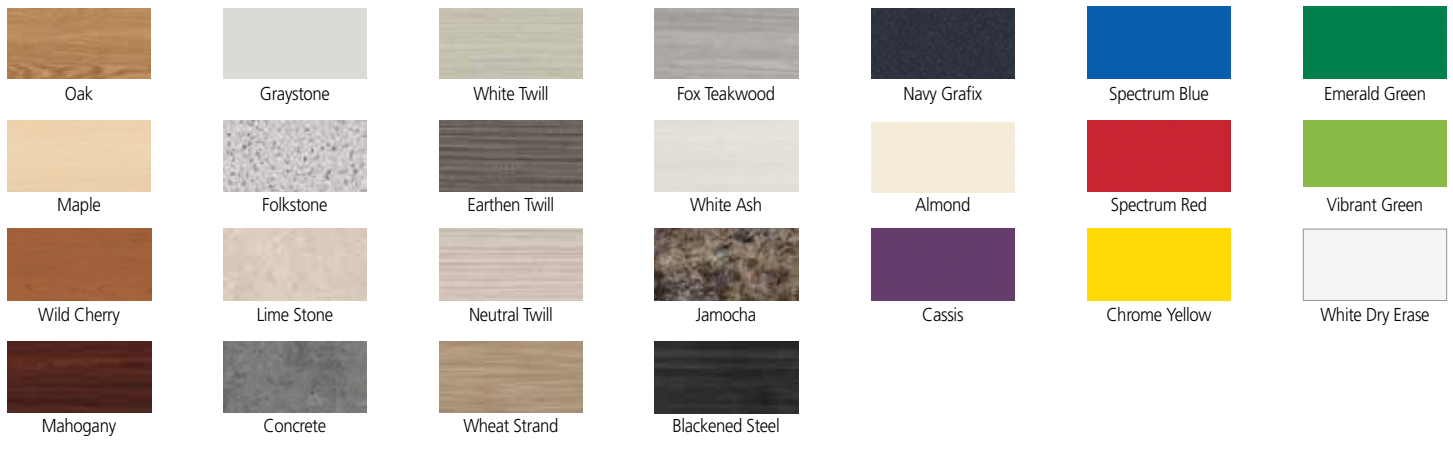
Stagger Desk

Hard Plastic Top Options

STANDARD COLORS



Laminate Top Options



Frame Finish Options



*Spec Flek subject to upcharges.

All non-standard colors subject to minimum quantities and upcharges.